



# OWNER'S MANUAL/OPERATING INSTRUCTIONS

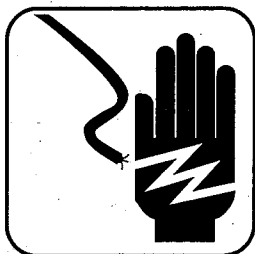
## LENCOPULL MODEL HP-2010

### WARNINGS & SAFEGUARDS FOR WELDING & CUTTING OPERATIONS

**Important** - Protect yourself and others! Remember that safety depends on you.

The operator, supervisor, and helper must read and understand all warning and safety information provided in these instructions and the power source manual used with this equipment. **Serious injury or death** could result if welding equipment is not properly installed, used, and maintained.

Training and proper supervision are most important for a safe work place. Installation, operation, repair work, and maintenance must be performed by qualified personnel. Retain these instructions for future use. Additional recommended safety and operating information is referenced in each section.



#### **ELECTRICAL SHOCK CAN CAUSE INJURY OR DEATH**

Electrical equipment must be installed and maintained in accordance with the National Electrical Code, NFPA 70, and all local codes. Maintain Electrode Holders, Work Clamp, Welding Cable, and Welding Machines in good, safe operating condition. Replace worn or damaged insulation. Do not try to repair or service equipment while the power is still on. Do not service or repair equipment unless you are trained and qualified to do so. The Electrode and Work (or Ground) circuits are electrically "HOT" when the trigger is pulled.

At no time should you touch the Electrode and Electrical Ground at the same time with bare skin while the trigger is pulled.

Always be sure the work cable makes a good electrical connection with the metal being welded.

Never touch electrically "HOT" parts of electrode holders.

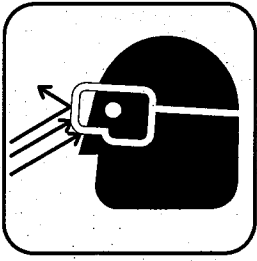
References: See Safety and Operating References A, F, H, and I.



#### **SMOKE, FUMES, AND GASES CAN BE DANGEROUS TO YOUR HEALTH**

Keep smoke, fumes, and gases from your breathing zone and the general area. Smoke, fumes, and gases from the welding process are of various types and strengths, depending on the kind of base metal being welded on. To ensure your safety, do not breath these fumes or gases. Ventilation must be adequate to remove smoke, fumes, and gases during the welding procedure to protect operators and others in the immediate area.

References: See Safety and Operating References A, B, C, H, and I.



## **MOLTEN MATERIAL, AND SPARKS CAN CAUSE EYE AND SKIN INJURY**

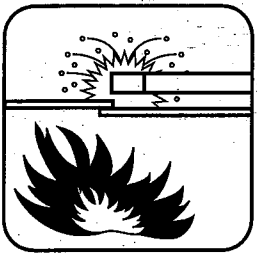
Always wear approved eye, ear and body protection. Remove any and all combustible material from the work area. Never attempt to weld without proper eye protection that conforms to federal guidelines.

Protect other nearby personnel from sparks. Use approved shielding curtains and appropriate goggles. Warn them not to watch the arc or expose themselves to arc rays, sparks, or molten

material.

Always wear protective gloves which will not allow skin to come in contact with heat, or molten material. Wear ear plugs to protect ears from sparks.

References: See Safety and Operating References A, B, H, and I.



## **SPOT WELDING SPARKS CAN CAUSE FIRES AND EXPLOSIONS**

Remove any and all combustible materials from the work area. If this is not possible, cover them to prevent the welding sparks from starting a fire. Causes of fire and explosion are any combustibles reached by flying sparks or heated materials. Do not wear any gloves or clothing that has oil or a fuel type material on it. Always have a properly working and OSHA recognized Fire Extinguisher near and be sure everyone has proper training in its use.

All hollow spaces, cavities, and containers should be vented prior to welding for they may explode. Make sure proper steps have been taken to ensure that venting procedures will not form flammable or toxic vapors from substances inside containers.

References: See Safety and Operating References A, D, E, F, G, and H.

## **SAFETY AND OPERATING REFERENCES**

- A) ANSI Z49.1, "Safety in Welding and Cutting"
- B) ANSI Z87.1, "Practice for Occupational and Educational Eye and Face Protection"
- C) ANSI Z88.2, "Standard Practice for Respiratory Protection" ANSI: American National Standard Institute, 1430 Broadway, New York, NY 10018
- D) AWS F4.1, "Recommended Safe Practices for Welding and Cutting Containers" AWS: The American Welding Society, P.O. Box 351040, 550 NW Lejeune Rd., Miami, FL 33135
- E) NFPA 51B, "Fire Prevention in Cutting and Welding Processes"
- F) NFPA-70, "National Electrical Code" NFPA: National Fire Protection Association, Batterymarch Park, Quincy, MA 02269
- G) GGA P-1, "Precautions for Safe Handling of Compressed Gases in Cylinders" CGA: Compressed Gas Association, 1235 Jefferson Davis Hwy., Arlington, VA 22202
- H) Code of Federal Regulations (OSHA) 29 CFR 1910 US: U.S. Government Printing Office, Washington, DC 20402
- I) CSA Standard W117.2, "Safety in Welding, Cutting and Allied Processes" CSA: Canadian Standards Association, 178 Rexdale Blvd., Rexdale, Ontario, Canada M9W 1R3

# OPERATING INSTRUCTIONS

## LENCOPULL MODEL HP-2010

The **LENCOPULL** comes as a complete self-contained power source which incorporates the HP-10 autobody dent pulling attachment. The **HANDI-PULL** attachment comes complete with 10 ft. power cable assembly, 7 ft. ground cable assembly, A-201 metal shrinking tip, SPK 102 long stud welding tip and bag of 100 welding studs.

### WARNING:

Operators wearing any type of heart pacemaker should consult a physician before operating or being in area during operation of this equipment.

Follow disarming procedures recommended by automotive manufacturers for electrical and air bag systems.

### HOOK-UP

Connect the HP-2010 25 ft. cable to main power source depending on your unit...see back panel for machine voltage...(120v 20 amp or 230v 30 amp single phase, 60/50 Hz). If additional 25 ft. input power cord length is needed, we recommend 10-3 wiring.

## HP-2010 OPERATION

### DENT PULLING

1. Turn the power switch to ON position
2. Set the timer control between 1/2 and 1.
3. Check to ensure the tip is tight in the tip holder.
4. Remove all paint and rust from contact areas (base metal) on the panel to ensure a good weld of the tip and ground clamp.
5. Attach the ground clamp directly to the panel being worked on or use optional magnetic base assembly.
6. Using the **HANDI-PULL**, place the tip on the panel. Applying moderate pressure, press the trigger switch - you have welded the tip to the work surface.
7. Using hand pressure or the optional QP-466 Quick Pry, make the pull.
8. After the pull is made, twist the handle in a clockwise, counter-clockwise direction to separate the tip from the work surface.
9. If additional pulls are necessary, repeat using same procedures.
10. The tip may be filed as necessary to maintain a good working end.

### METAL SHRINKING

1. Insert the A-201 shrink tip in the tip seat with hand pressure.
2. Set the timer control to 10 (maximum).
3. Properly clean shrinking area.
4. Attach the ground clamp directly to the panel being worked on or use optional magnetic base assembly.
5. Using the **HANDI-PULL** place the shrink tip on the panel. Applying moderate pressure, press the trigger switch 2 times - this should shrink the metal.
6. Remove the tip by tapping the tip seat to loosen the taper fit.

### HELPFUL HINTS

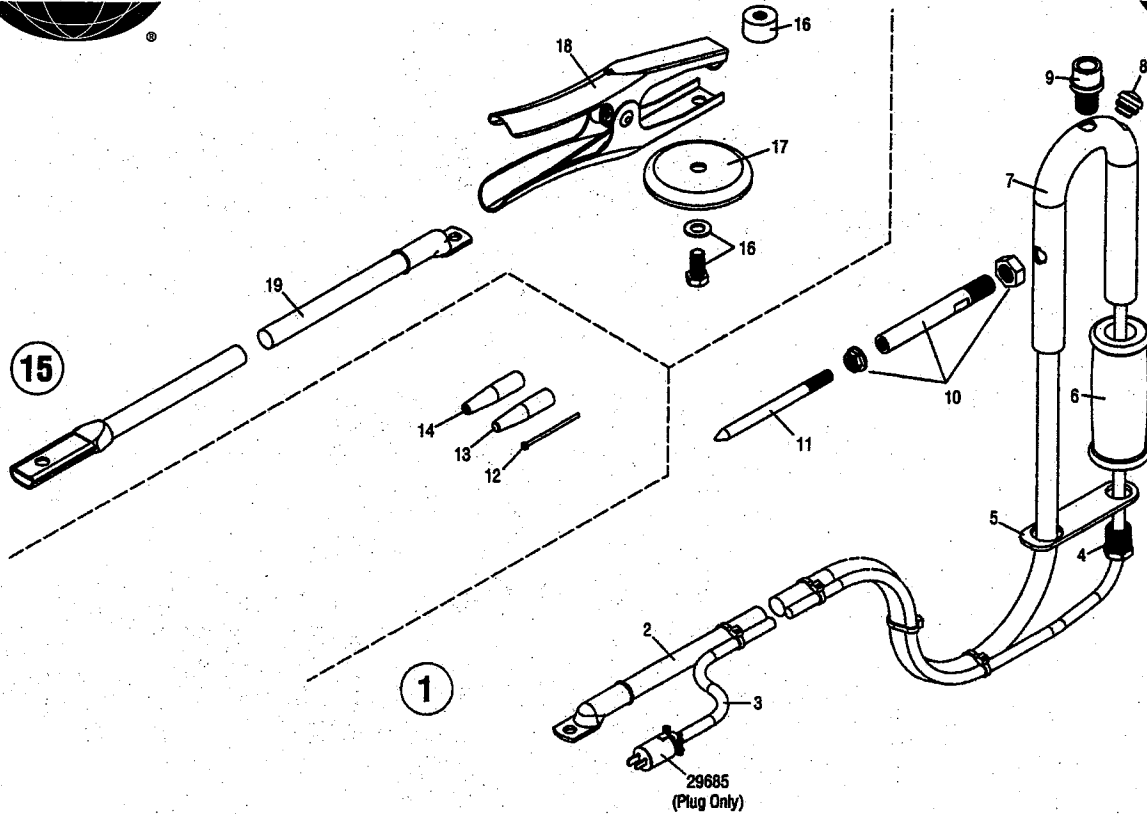
1. If the tip is melting, the timer needs to be turned down.
2. If the tips do not operate satisfactorily:
  - a. Paint was not removed from surface.
  - b. Too much pressure was applied.
  - c. Tip point too blunt - needs to be dressed to a point or replaced.
  - d. Timer setting is too low.

### STUD WELDING

1. Install the SPK-102 Long Stud welding tip into the tip seat using hand pressure.
2. Set the timer between 1 and 3.
3. Properly clean the working area.
4. Insert the welding stud into the SPK102 tip.
5. Using the **HANDI-PULL**, place the head of the stud on the area to which it is to be welded.
6. Press the trigger switch - this will attach the stud.



# "HANDI-PULL" REPLACEMENT PARTS



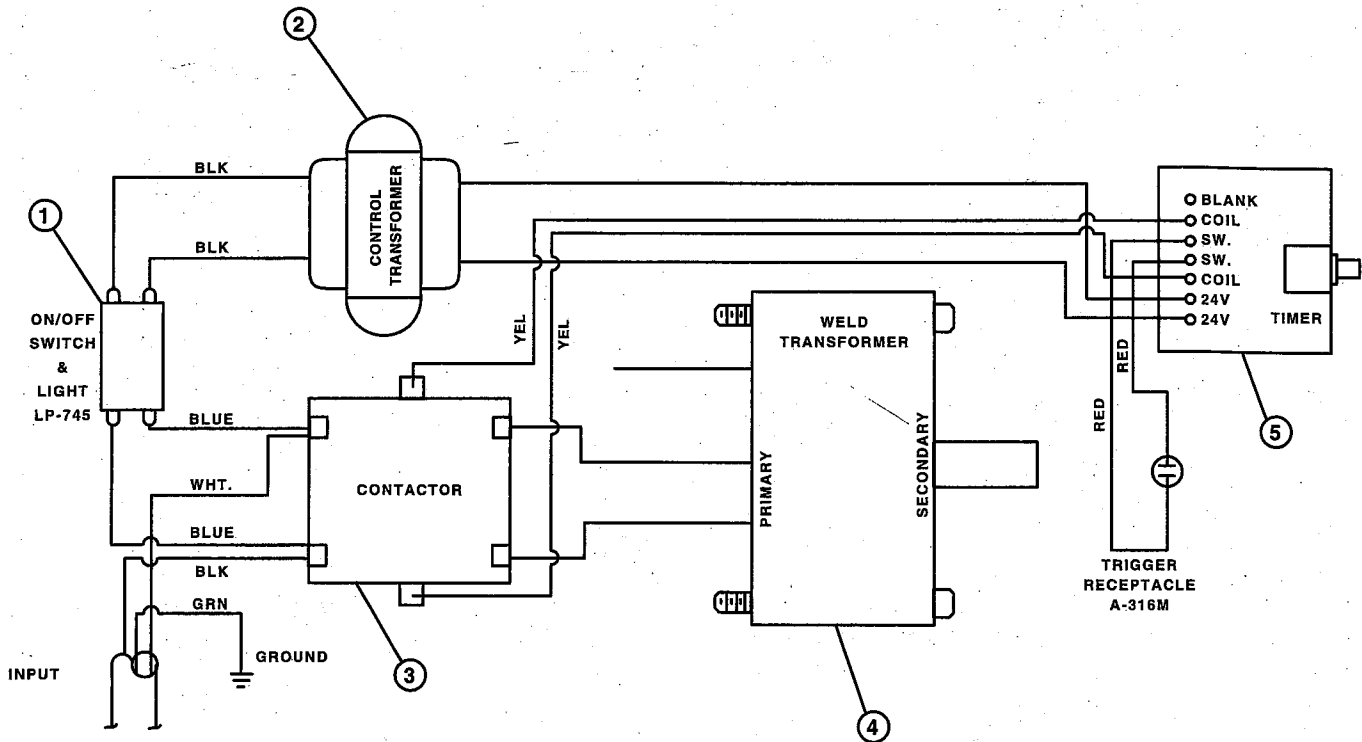
ITEM NO.	PART NO.	ORDERING NO.	DESCRIPTION
-	HP-10	27510	Handi-Pull Dent Pulling Attachment
<b>POWER CABLE ASSEMBLY</b>			
1	HP-521	27521	Complete Power Cable Assembly
2	HP-560	27560	Power Cable Assembly w/lug & cable ties (12)
3	HP-565	27565	Control Cord w/plug & cables ties (12)
4	HP-570	27570	Cap Nut
5	HP-575	27575	Stretcher Bar
6	HP-580	27580	Foam Grip
7	HP-585	27585	Handle
8	QP-447	27447	Push Button Switch
9	HP-590	27590	Tip Seat
10	HP-595	27595	Tip Retainer Kit includes nut, tip holder and nut
11	HP-551	27551	Tip (Pkg. 3)
12	SPK-109	28923	Long Welding Studs (Pkg. 100)
13	SPK-102	28916	Long Stud Tip
14	A-201	21090	Shrink Tip
<b>GROUND CABLE ASSEMBLY</b>			
15	QP-461	27461	Complete Ground Cable Assembly w/magnetic base
16	QP-464	27464	Ground Tip w/mounting bolt
17	QP-465	27465	Magnetic Base Assembly
18	QP-463	27463	Ground Clamp
19	QP-462	27462	Cable Assembly w/lugs

**FOR TECHNICAL ASSISTANCE CALL: (800) 747-4743**

NLC, Inc. 319 W. Main Street • Jackson, MO 63755 • Phone: (573) 243-3141 • Fax: (573) 243-7122

# HP-2010 WIRING DIAGRAM

ITEM NO.	DESCRIPTION
1	'ON-OFF' Swith and Light
2	Control Transformer
3	Contactor
4	Weld Transformer
5	Timer Control Assy.



## LENCO AUTOMOTIVE EQUIPMENT

NLC, Inc. 319 W. Main Street • Jackson, MO 63755 • Phone: (573) 243-3141 • Fax: (573) 243-7122

ITEM NO.	ITEM CODE NO.	ORDERING NO.	DESCRIPTION
1	29715	LP-715	Cover (Chassis)
1a	29716	LP-716	Chassis
2	29230	A-146	Stain Relief Bushing
3	29345	LP-345	25' Power Cable (12-3) W/plug (230V)
	29347	LP-347	25' Power Cable (12-3) W/plug (120V)
4	29190	A-109	Caster - Swivel
5	29196	LP-196	Caster - Rigid
6	29240	LP-240	Strain Relief Bushing
7	29745	LP-745	"On-Off" Switch & Light
8	29690	A-340M	Timer Indicator Control Knob
9	29735	LP-735	Timer Control Assy.
10	29670	A-340M	Contacto
11	29150	A-101	Control Transformer (230V)
	29155	LP-155	Control Transformer (120V)
12	29145	LP-145	Welding Transformer (230V)
	29147	LP-147	Welding Transformer (120V)
13	29480	LP-480	Jumper
14	29684	LP-684	Female Plug

